

SUITABLE FOR MODEL

IMAGE MAY VARY FROM ACTUAL PRODUCT

SAFETY INSTRUCTION 

READ CAREFULLY BEFORE INSTALLING FIXTURE. PLEASE KEEP THIS MANUAL FOR FUTURE USING.
Fixtures must be wired in accordance with the National Electrical Code and all applicable local codes. Proper grounding is required for safety.

THIS PRODUCT MUST BE INSTALLED IN ACCORDANCE WITH THE APPLICATION CODE BY A PERSON FAMILIAR WITH THE CONSTRUCTION AND OPERATION OF THE PRODUCT AND THE HAZARDS INVOLVED. MAKE CERTAIN POWER OFF BEFORE INSTALLING OR MAINTAINING FIXTURE. CHECK THAT VOLTAGE IS COMPATIBLE WITH FIXTURE DRIVER, USE APPROVED CONNECTORS FOR ALL ELECTRICAL CONNECTIONS.

MAINTENANCE CAUTION 

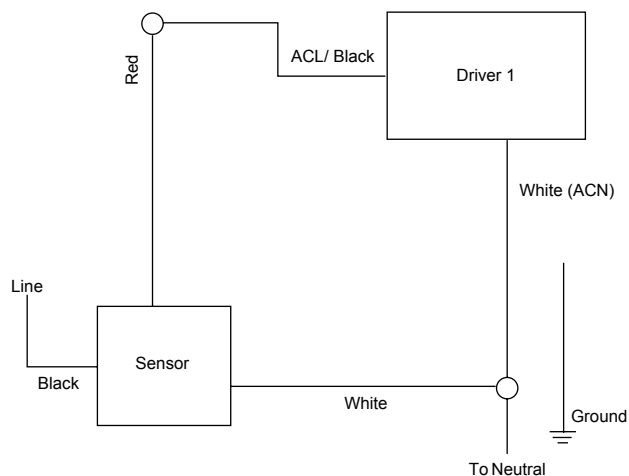
1. Review the wire connection before beginning, and make sure fixture is grounded properly.
2. For lighting controls, using functioning correctly.
3. Turn power off and wait for fixture cooling to operate.
4. Maintenance must be done by professionals.

WIRE CONNECTION

Voltage driver permits operation at 120V, 60Hz

Connect supply wires to quick connect supplied Black/ Hot supply black. White/ Neutral supply with white wire.

Connect ground wire with green wire.



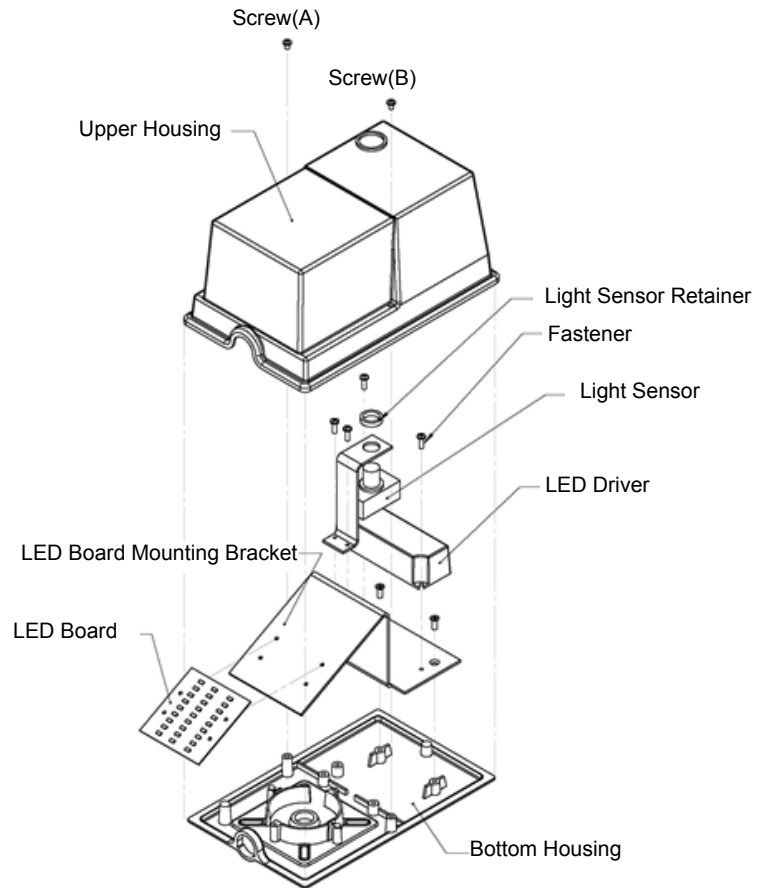
INSTALLATION

MOUNTING

1. Use a screwdriver to loosen (A)(B) screws securing fixture cover. Remove fixture back plate from fixture.
2. Use a flat head screwdriver to remove wire way covering from back plate of housing.
3. Use 1" thread 1/2 NPT fitting (not supplied) through back of housing until flush with outside surface.
4. Add 1/4" bead of exterior grade silicone sealant around the perimeter of the security light, to inhibit any moisture from collecting between fixture back plate and mounting surface.
5. Feed power leads from junction box through NPT fitting into the exterior of the fixture.
6. Continue screwing NPT fitting into Junction box until fixture back plate is tight to mounting surface. Lock NPT fitting in place with 1/2" NPT (not supplied).

CAUTION: Disconnect the power by turning off the circuit breaker or by removing the appropriate fuse at the fuse box. Turning the power off using the light switch is not sufficient to prevent electrical shock.

1. Reattach fixture front to fixture back plate.
2. Connect drivers OUTPUT leads to quick connect originating from LED array. Red output to quick connect with red wires, black output to quick connect with black wires. DO NOT cut off or remove the cable tie.
3. Reattach fixture using two head screws removed in installation step 2.



WARRANTY

LIMITED FIVE-YEAR WARRANTY. Should this product fail to perform satisfactorily due to a defect or poor workmanship within five years from the date of purchase, return it to the place of purchase and it will be replaced, free of charge. Incidental or consequential damages are excluded from the warranty.